



# ELKOSO<sup>®</sup>

AUTOMOTIVE MANUFACTURING SOLUTIONS



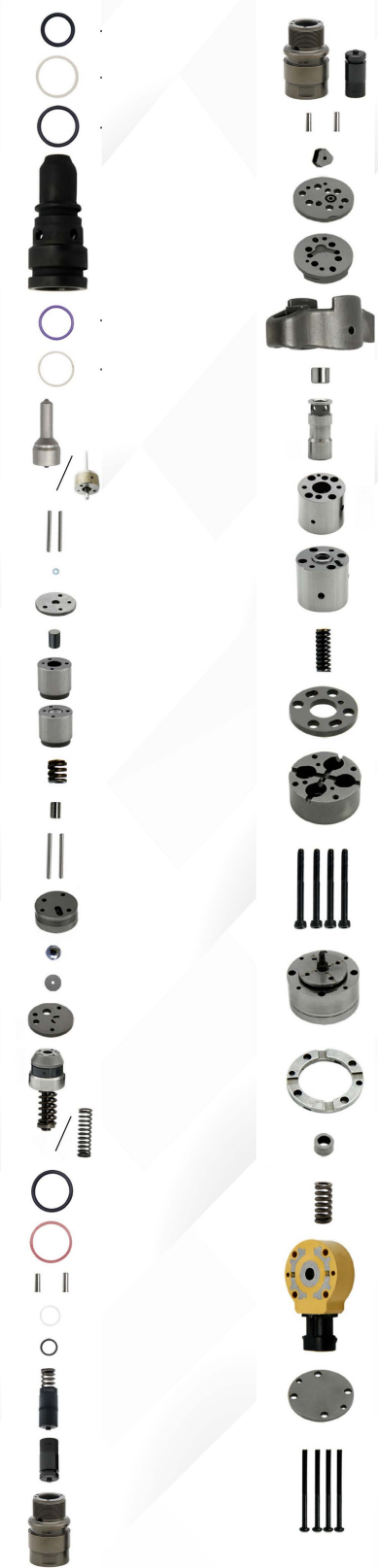
## HEAVY DUTY INJECTORS

High-quality, durable components for Caterpillar C7/C9, 3126, C13/C18, and Cummins XPI, M11/N14 HEUI engines, ensuring optimal performance.



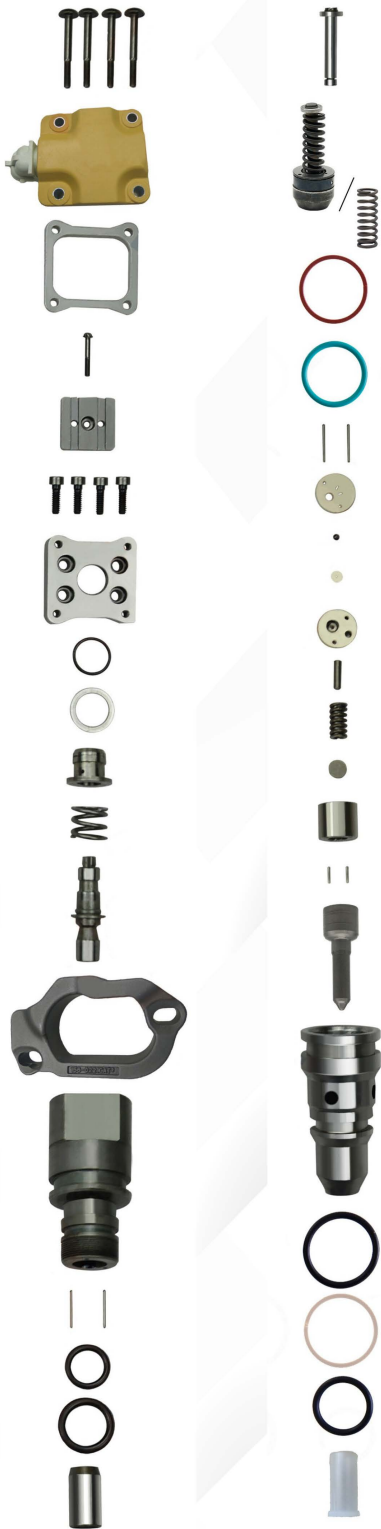
**CATERPILLAR**

[www.elkoso.tech](http://www.elkoso.tech)



## **CATERPILLAR C7 / C9 HEUI**

Our precision-engineered components are perfectly suited for Caterpillar C7 / C9 HEUI engines, ensuring optimal performance, durability, and reliability in demanding applications. Trust Elkoso for superior quality and dependable solutions tailored to your heavy-duty needs



## **CATERPILLAR 3126 HEUI**

Our high-quality components are specifically designed for Caterpillar 3126 HEUI engines, providing exceptional performance, reliability, and longevity. Trust Elkoso for top-tier solutions tailored to meet the rigorous demands of your heavy-duty applications.



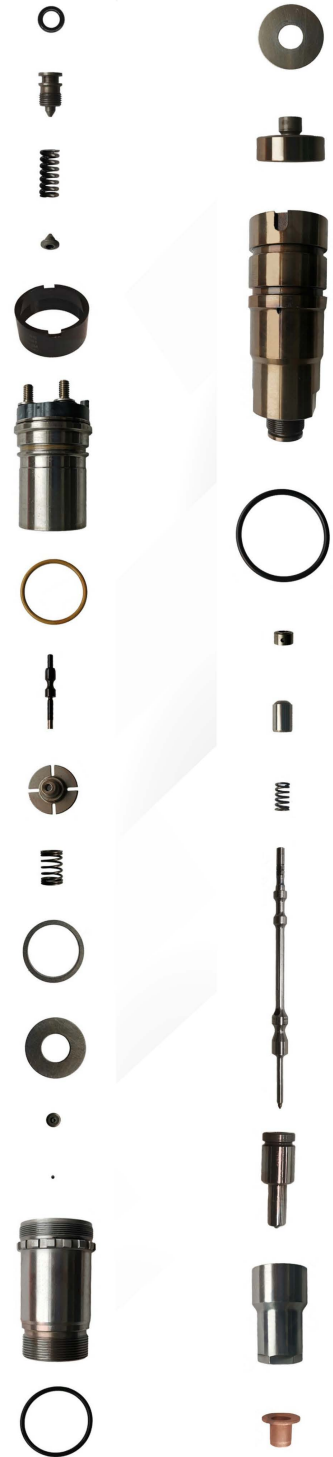
## CATERPILLAR C13 / C18 HEUI

Our expertly crafted components are perfectly suited for Caterpillar C13 and C18 HEUI engines, ensuring peak performance, enhanced durability, and unmatched reliability. Choose Elkoso for premium solutions tailored to meet the stringent demands of your heavy-duty operations.



## CUMMINS XPI HEUI

Designed for excellence, our components for Cummins XPI HEUI engines ensure top-tier performance and longevity. Elkoso delivers innovative and reliable solutions tailored to the specific needs of your heavy-duty machinery, keeping you running smoothly.





## CUMMINS M11 / N14 HEUI

Our components for Cummins M11 / N14 HEUI engines are designed to deliver robust performance and unmatched reliability. Elkoso provides customized, high-quality solutions to ensure your heavy-duty equipment operates at its best in the most demanding environments.





# ELKOSO<sup>®</sup>

AUTOMOTIVE MANUFACTURING SOLUTIONS



## ADMINISTRATION

4th km of Heraklion - Malades Road  
Heraklion, 71500  
Crete  
Greece

+30 2310 540231

office@elkoso.tech



[www.elkoso.tech](http://www.elkoso.tech)